



PRUŽNE GRAĐEVINE

Međimurska 4, 10000 ZAGREB

e-mail: prg@prg.hr web: www.prg.hr

POSLOVNO PODRUČJE MEHANIZACIJA

POZIV ZA DOSTAVU PONUDA EBN 30921

Naš znak: M.N-C 4.3.

EBN: 30921

Datum: 05.10.2021.

Vrsta postupka nabave: Otvoreni postupak nabave

1. PODACI O PREDMETU NABAVE

Red. broj	Opis predmeta nabave	Jedinica mjere	Količina
1.	distanca 0.5mm 175-1794	kom	4
2.	distanca 1mm 175-1795	kom	4
3.	svornjak 228-2856	kom	3
4.	svornjak 277-4383	kom	3
5.	brtva 093-1429	kom	16
6.	distanca 228-3438	kom	4
7.	čahura 265-8715	kom	12
8.	brtva 266-4051	kom	6
9.	staklo kabine stražnje 281-1154	kom	1
10.	podložak 281-3654	kom	1
	katalog rezervnih dijelova u prilogu Caterpillar 303.0; CAT0303CPBXT00286; 2006 g		

Osoba zadužena za kontakt: Alen Sušanj 099 6192 709; alen.susanj@prg.hr

2. SADRŽAJ PONUDE:

PONUDA treba sadržavati:

1. Jedinične cijene bez PDV-a , **fca Zaprešić**
2. Ukupnu vrijednost ponude
3. Rok isporuke
4. Uvjete i način plaćanja
5. Opciju ponude (ne kraću od 60 dana)

3. NAČIN I ROK ZA DOSTAVU PONUDE

Rok za dostavu ponuda je do **08.10.2021.** god. do **08:45 sati** na mail adresu mladen.novak-coric@prg.hr

Društvo upisano u sudski registar Trgovačkog suda u Zagrebu MBS: 080416334, OIB: 34601781192, MB 1601636
Predsjednik Uprave: Pero Semren, dipl. ing. prom. Članovi Uprave: Zvonko Perčin, dipl. ing. građ.; Željko Mihaljević, dipl. ing. prom.
Temeljni kapital: 63.898.200,00 kn. Poslovna banka:
Zagrebačka banka d.d., Zagreb, Trg bana Josipa Jelačića 10, IBAN: HR8123600001102394115



Pružne građevine d.o.o., Međimurska 4, 10104 ZAGREB
tel: +385 1 3702 301 , 385 1 39 09 310 fax: +385 1 4577 726



**PRUŽNE
GRAĐEVINE**

Međimurska 4, 10000 ZAGREB

e-mail: prg@prg.hr web: www.prg.hr

Ponude koje ne sadrže tražene podatke i one pristigle nakon roka bez obzira na način dostave navedenog ovim upitom neće se uzeti u razmatranje.

Na ovaj postupak ne primjenjuje se Zakon o javnoj nabavi. Kriterij za odabir ponude je ekonomski najpovoljnija ponuda sa stajališta Naručitelja ili najniža cijena.

Za odabir ponude je dovoljna jedna (1) pristigla ponuda, koja udovoljava svim traženim zahtjevima i uvjetima naručitelja.

SLUŽBA NABAVE
Mladen Novak-Čorić

M. Novak-Čorić



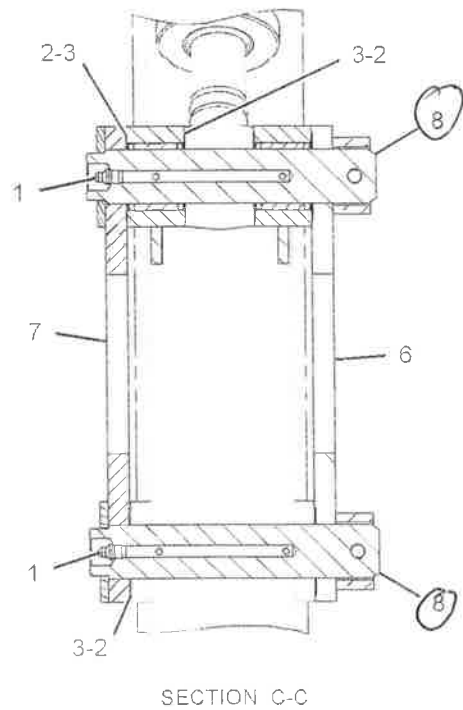
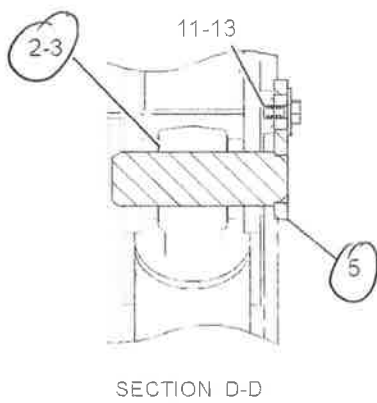
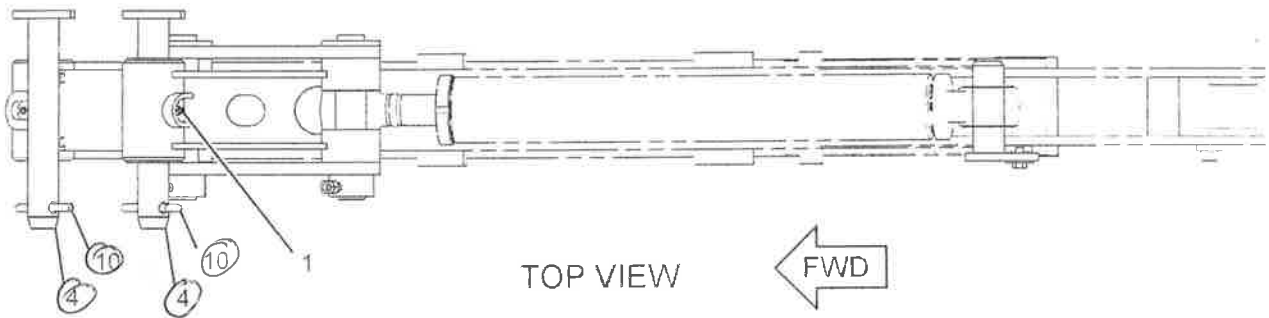
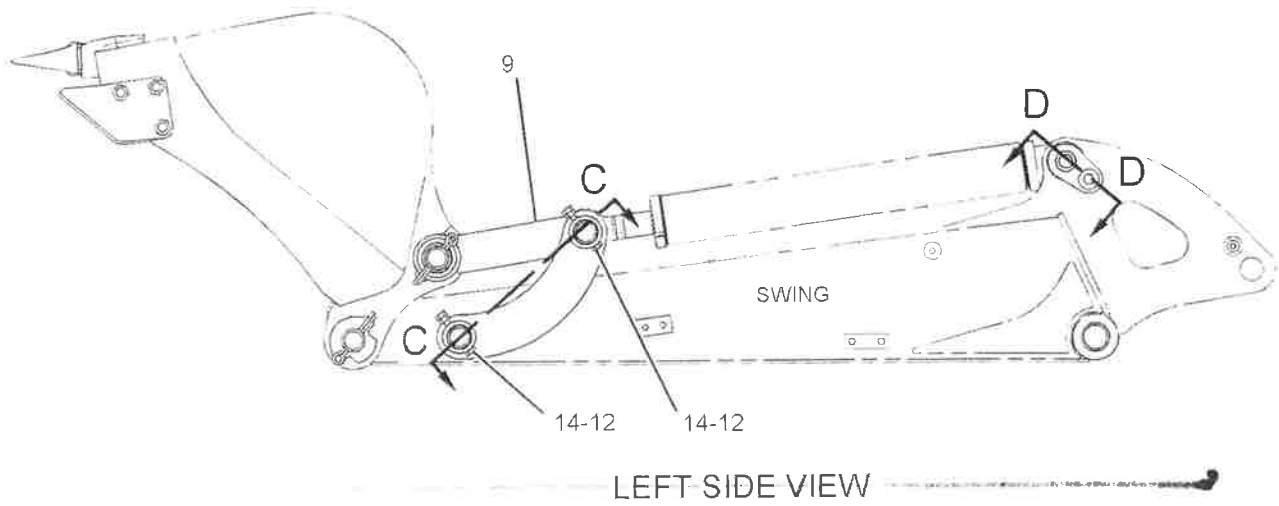
Društvo upisano u sudski registar Trgovačkog suda u Zagrebu MBS: 080416334, OIB: 34601781192, MB 1601636
Predsjednik Uprave: Pero Semren, dipl. ing. prom. Članovi Uprave: Zvonko Perčin, dipl. ing. građ.; Željko Mihaljević, dipl. ing. prom.
Temeljni kapital: 63.898.200,00 kn. Poslovna banka:
Zagrebačka banka d.d., Zagreb, Trg bana Josipa Jelačića 10, IBAN: HR8123600001102394115

Pružne građevine d.o.o., Međimurska 4, 10104 ZAGREB
tel: +385 1 3702 301, 385 1 39 09 310 fax: +385 1 4577 726

IMPLEMENTS

277-4378 LINKAGE GP-BUCKET (contd.)

i02442996



GRAPHIC #1

<END>

g01223179

IMPLEMENTS

277-4378 LINKAGE GP-BUCKET

PART OF 266-3935 LINKAGE AR-BUCKET
AN ATTACHMENT

SMCS-6513

i02442996

NOTE	REF NO	GRAPHIC REF	PART NUMBER	QTY	PART NAME						SEE PAGE
					1	2	3	4	5	6 (PRODUCT LEVEL)	
	1	1	3B-8489	3	FITTING-GREASE						
B	2	1	175-1794	7	SHIM (0.5-MM THK)						
B	3	1	175-1795	4	SHIM (1-MM THK)						
	4	1	228-2856	2	PIN AS						
	5	1	266-4064	1	PIN AS						
	6	1	277-4381	1	LINK AS						
	7	1	277-4382	1	LINK						
	8	1	277-4383	2	PIN AS						
	9	1	281-0865	1	LINK & BEARING AS						
		1	093-1429	6	SEAL-LIP TYPE						
		1	265-8715	2	BEARING-SLEEVE						
		1	266-4051	2	BEARING-SLEEVE						
	10	1	095-0868	2	PIN COITER						
	11	1	6V-8513	1	WASHER-HARD (11X35X2.5-MM THK)						
M	12	1	8T-4133	4	NUT (M10X1.5-THD)						
M	13	1	8T-4137	1	BOLT (M10X1.5X20-MM)						
M	14	1	8T-4172	2	BOLT (M10X1.5X80-MM)						

B-USE AS REQUIRED
M-METRIC PART

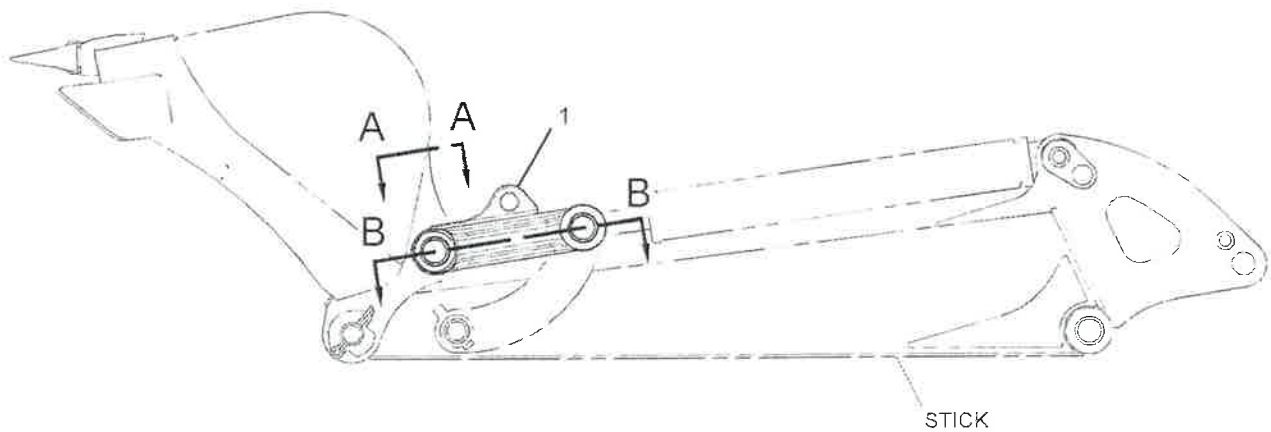
IMPLEMENTS

277-4349 LINKAGE AR-BUCKET-WITH LIFTING EYE AN ATTACHMENT

SMCS-6513

i03172383

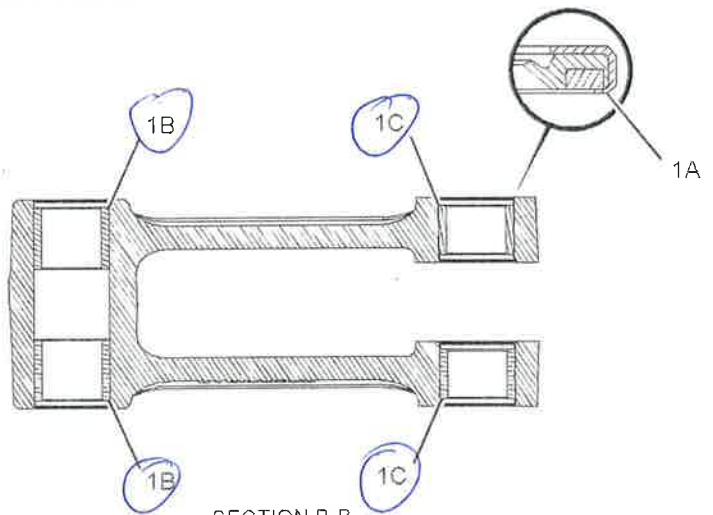
NOTE	REF NO	GRAPHIC REF	PART NUMBER	QTY	PART NAME						SEE PAGE
					1	2	3	4	5	6 (PRODUCT LEVEL)	
	1	1	278-9938	1	LINK & BEARING AS						
	1A	1	093-1429	6	SEAL-LIP TYPE						
	1B	1	265-8715	2	BEARING-SLEEVE						
	1C	1	266-4051	2	BEARING-SLEEVE						
	2	1	3B-8489	1	FITTING-GREASE						



LEFT SIDE VIEW



VIEW A-A



SECTION B-B

GRAPHIC #1

<END>

g01624400

IMPLEMENTS

266-3935 LINKAGE AR-BUCKET AN ATTACHMENT

SMCS-6513

i02442982

NOTE	PART NUMBER	QTY	PART NAME	SEE PAGE
Y	277-4378	1	LINKAGE GP-BUCKET	457

Y-SEPARATE ILLUSTRATION

<END>

270-6588 LINKAGE AR-BUCKET-WITH LIFTING EYE PART OF 322-1398 STICK AR, 322-1399, 322-1400, 322-1401 STICK AR-HOE AN ATTACHMENT

SMCS-6513

i02443138

NOTE	PART NUMBER	QTY	PART NAME	SEE PAGE
Y	278-9937	1	LINKAGE GP-BUCKET (WITH LIFTING EYE)	459

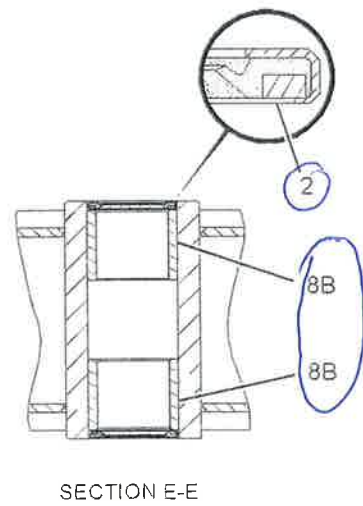
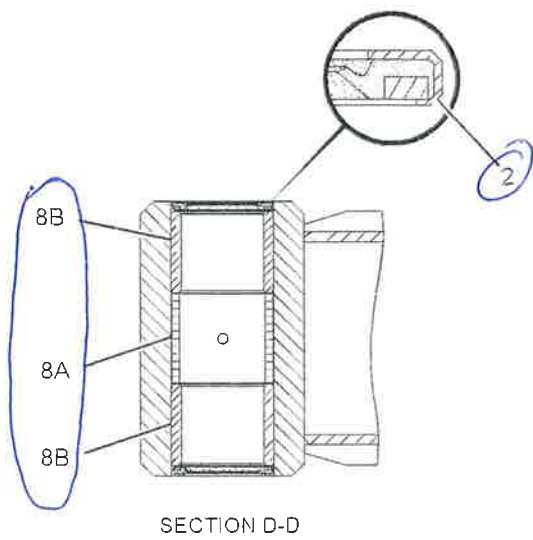
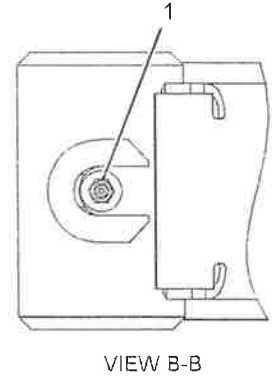
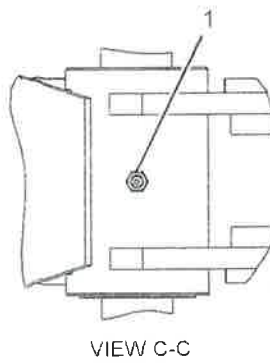
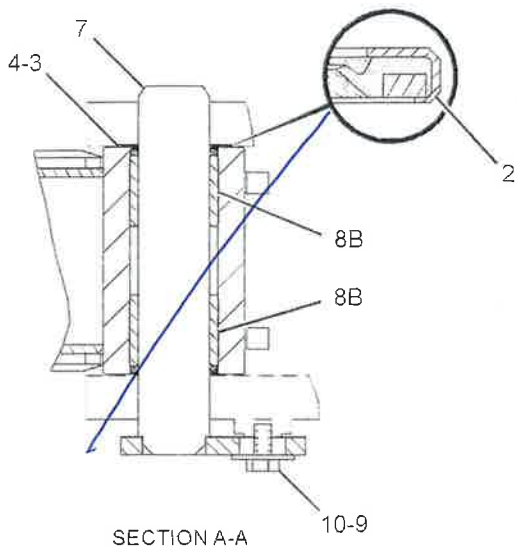
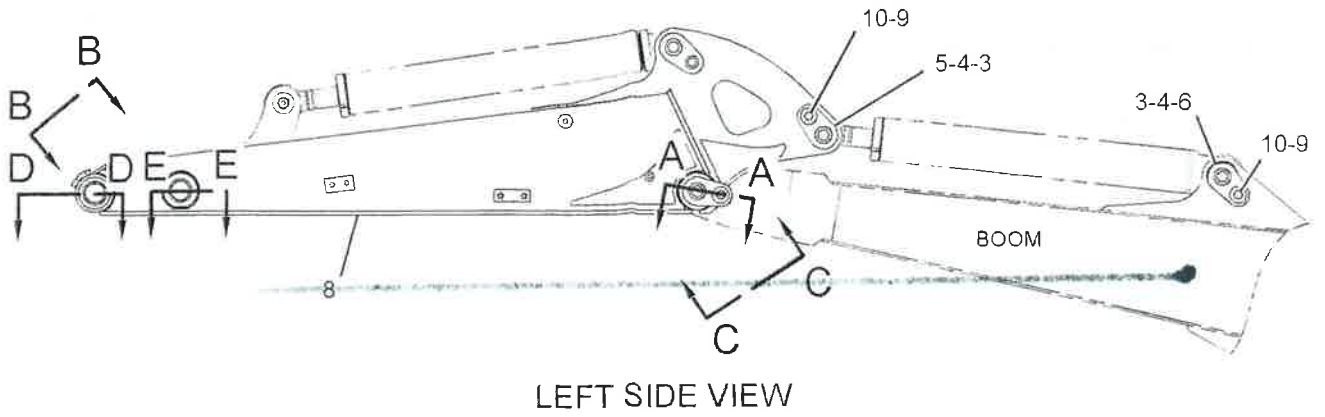
Y-SEPARATE ILLUSTRATION

<END>

IMPLEMENTS

266-4052 STICK GP-HOE (contd.)

102574848



GRAPHIC #1

<END>

g01343471

IMPLEMENTS

266-4052 STICK GP-HOE-STANDARD

PART OF 266-4091, 266-4137 STICK AR-HOE
AN ATTACHMENT

SMCS - 6502

i02574848

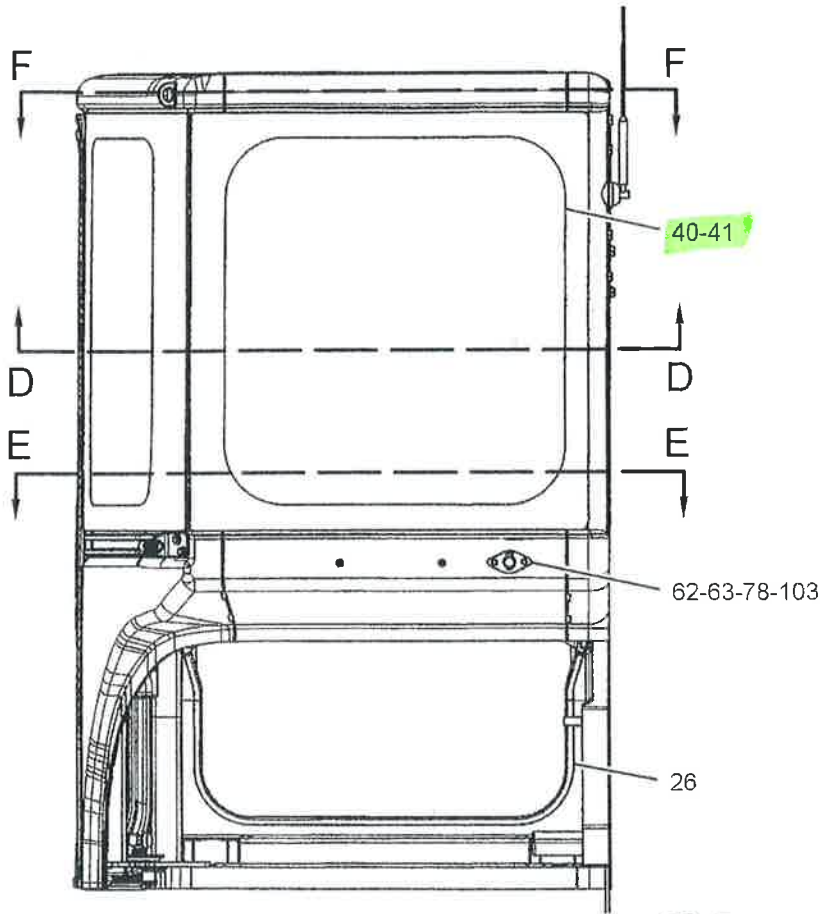
NOTE	REF NO	GRAPHIC REF	PART NUMBER	QTY	PART NAME						SEE PAGE
					1	2	3	4	5	6 (PRODUCT LEVEL)	
	1	1	3B-8489	2	FITTING-GREASE						
	2	1	093-1429	6	SEAL-LIP TYPE						
B	3	1	175-1794	3	SHIM (0.5-MM THK)						
B	4	1	175-1795	3	SHIM (1-MM THK)						
	5	1	266-4064	1	PIN AS						
	6	1	266-4066	1	PIN AS						
	7	1	266-4080	1	PIN AS						
	8	1	281-0910	1	STICK & BEARING AS						
	8A	1	228-3438	1	SPACER (42X49.5X44-MM THK)						
	8B	1	265-8715	6	BEARING-SLEEVE						
	9	1	6V-8513	3	WASHER-HARD (11X35X2.5-MM THK)						
M	10	1	8T-4137	3	BOLT (M10X1.5X20-MM)						

B-USE AS REQUIRED
M-METRIC PART

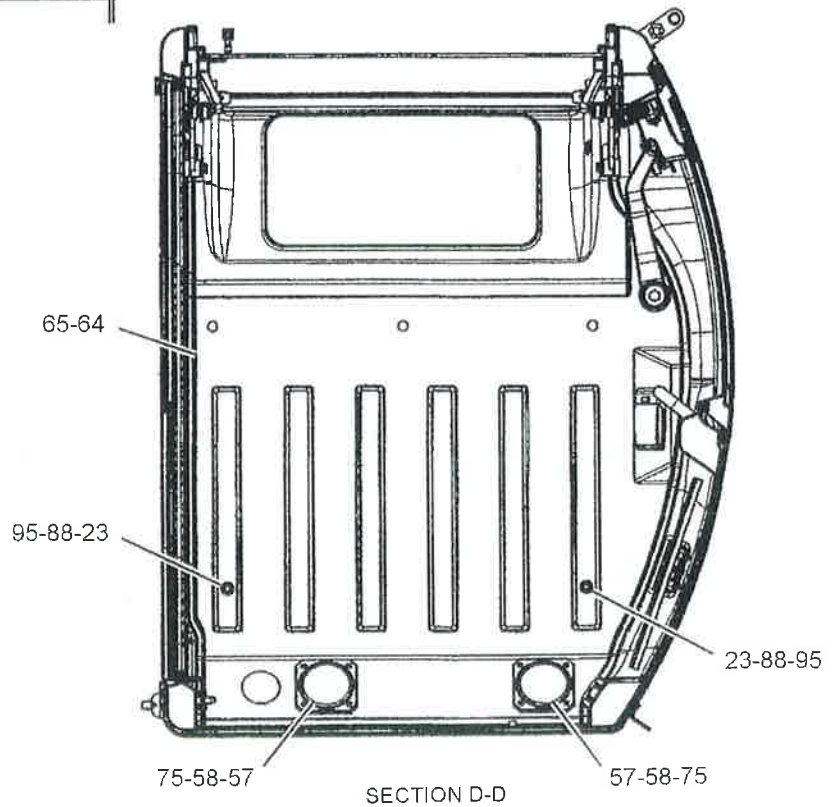
OPERATOR STATION

282-9689 CAB GP (contd.)

103640914



REAR VIEW



REFER TO ALL ILLUSTRATIONS OF THIS GROUP FOR AUXILIARY VIEWS

GRAPHIC #4

g01241408

OPERATOR STATION

282-9689 CAB GP

S/N: BXT822-UP

PART OF 282-9688 CAB GP, 267-4363 GUARD GP-WINDOW
AN ATTACHMENT

SMCS-7301

103640915

NOTE	REF NO	GRAPHIC REF	PART NUMBER	QTY	PART NAME						SEE PAGE
					1	2	3	4	5	6 (PRODUCT LEVEL)	
	1	3	281-9614	1	PLATE						
Y	2	1	281-1195	1	DOOR GP-CAB						567
Y	3	1	280-0421	1	WINDOW GP-FRONT						620
	4	3	305-5848	1	LINK AS						
		1	276-8684	1	LINK						
	5	3	280-8588	1	WASHER (11.5X40X4.5-MM THK)						
	6	2,3	214-3968	3	WASHER (8.5X30X3.2-MM THK)						
Y	7	3	281-1186	1	LINK GP-WINDOW						591
	8	3	280-8590	1	PLATE						
	9	3	127-3947	1	BUMPER						
M	10	3	095-1207	4	NUT (M12X1.75-THD)						
	11	3	196-1479	2	STRIKER						
	12	3,3	280-8595	2	STRIKER						
	13	1,3	280-8597	2	STOP						
	14	3	280-8598	1	RAIL						
	15	3	280-8599	1	SEAL						
	16	2	280-8625	1	ARM AS (RH)						
	17	3	280-8626	1	ARM AS (LH)						
	18	2,3	214-3969	4	WASHER (16X26X0.5-MM THK)						
	19	2,3	214-3962	2	DAMPER						
	20	2,3	280-8603	4	BUSHING						
	21	3	280-8604	1	STRIKER						
	22	2	280-8605	1	STRIKER						
	23	4	127-3987	2	STOP						
	24	2,3	280-8607	2	STRIKER						
	25	1	281-3661	1	SEAL						
	26	4	281-3660	1	SEAL						
	27	1	281-3662	1	SEAL						
	28	1	281-1149	1	GLASS-FRONT (LOWER)						
C	29	1	288-1386	2	HOLDER						
	31	3	41-4270	1	HOLDER-GLASS						
	32	3	196-1550	1	BRACKET AS						
	33	3	277-6028	1	HOLDER						
	34	3	277-6029	1	HOLDER						
	35	3	207-0236	1	TAPE-ADHESIVE						
Y	36	2	281-4451	1	WINDOW GP-SLIDING						622
	37	2	281-4452	1	SEAL						
	38	2	281-3651	1	SEAL						
	39	2	281-1153	10	SPACER						
	40	4	281-1154	1	GLASS-REAR						
	41	4	281-3654	1	CUSHION						
	42	3	281-1155	1	GLASS (LH)						
	43	3	281-3653	1	CUSHION						
	44	5	271-5317	1	WINDOW-ROOF						
	45	5	281-4453	1	SEAL						
	46	2	280-8534	1	HARNESS AS-CAB						
	47	2	281-5507	1	WASHER						
	48	2	285-4408	1	HARNESS AS-WIRING (WIPER MOTOR)						
C	49	2,3	281-7860	9	STRAP						
	50	3	158-7802	1	SWITCH AS-ROCKER (WINDOW WASHER, WIPER)						
		3	111-7899	1	GASKET						
	51	3	281-1159	1	LAMP AS (12-VOLT, 5-WATT)						
			303-9236	1	LAMP (12-VOLT, 5-WATT)						
	52	2	259-4883	1	ANTENNA AS						
	53	2	281-5508	2	SCREW						